

brand	MEP
-------	------------

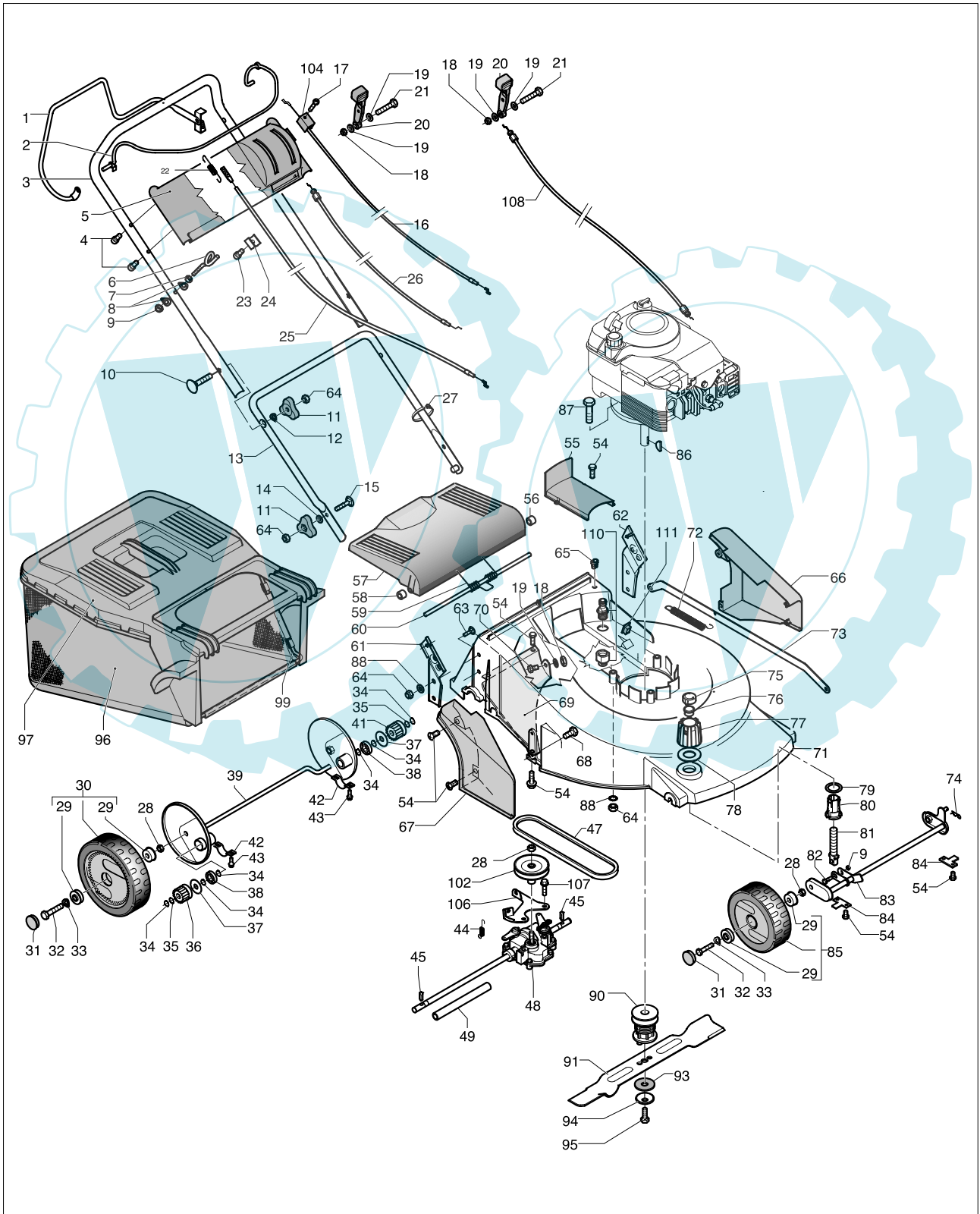
date	FEB/03	SHEET 1/3
------	--------	-----------

Model

MP 550 S3

Product number

953875938



brand	MEP
-------	------------

ELECTROLUX OUTDOOR PRODUCTS

date	FEB/03	SHEET 2/3
------	--------	-----------

Model

MP 550 S3

Product number

953875938

Pos.	PN ELX	PN MEP	DESCRIPTION	Q.ty	NOTE
1	531205616	10135883	clutch lever	1	
2	531205618	10135893	lever	1	
3	531205589	10135663	upper handle	1	
4	531208844	20734900	screw	4	TCTC 4,3x16 FIX ZB
5	531205781	10140680	dash-board	1	
6	531205169	10121470	cable hook	1	
7	531207165	10501200	nut	1	M6 H6 UNI 5587-6S-ZB
8	531204961	10115900	washer	2	6,5E
9	531208491	20281800	nut	2	M6H8UNI7473ZB
10	531207089	10402401	screw	2	TTSQM8x50TFZB
11	531204923	10114303	knob	4	
12	531207090	10402402	washer	2	8,5
13	531205711	10140053	handle lowere	1	
14	531204922	10114200	washer	2	8x16x1,5 ZB
15	531204921	10114100	screw	2	TTSQ M8x25 T.FIL. ZB
16	531205191	10121610	cable	1	B&S - 1097/148
17	531208217	20135730	screw	1	TC.TC 2FD 5x25
18	531208492	20282100	nut	3	M5 H7 UNI7473-ZB
19	531206666	10284700	washer	5	5/15/1,5 ZB
20	531205139	10121263	accelerator lever	2	
21	531207836	10830000	screw	2	TE M5x25 UNI 5739-8,8-ZB
22	531205596	10135710	spring	1	
23	531207937	10878000	screw	1	TCTC 3,9x16
24	531207923	10876103	bearing	1	
25	531205777	10140610	clutch cable	1	
26	531207754	10800400	accelerator cable	1	mm 1385/80 B&S
27	531205581	10135600	clamp	2	160X4,5
28	531207978	20101700	nut	5	M10 H8 UNI 5588-6S ZB
29	531205214	10121900	ball-bearing	8	
30	531204461	09135294	wheel	2	D210/26 TAC
31	531204936	10114804	plug	4	
32	531205042	10120090	screw	4	
33	531206644	10275100	washer	4	UNI 8840-B12(13/24/0,8
34	531208772	20655800	seeger	6	D.12E DIN 471
35	531208859	20761300	washer	2	D.12,4x17x0,3
36	531205859	10141390	pinion	1	DX
37	531207847	10831200	washer	2	D.12/34/0,7 ZB
38	531208778	20657600	ball-bearing	2	D.12/28/8 6001/2RS
39	531205705	10140023	rear axle	1	
41	531205860	10141400	pinion	1	SX
42	531206652	10281200	bearing	2	
43	531207385	10602800	screw	4	TEFR 5x12
44	531205216	10121920	spring	1	
45	531205786	10140710	key	2	4,76X18,5
47	531206701	10294900	belt	1	Z 32 (10x815) 3L330
48	531207700	10768100	gear	1	
49	531207697	10766503	spacer tube	1	
54	531207856	10831800	screw	13	TEFR 5x10
55	531205772	10140543	belt housing	1	

brand	MEP
-------	------------

date	FEB/03	SHEET 3/3
------	--------	-----------

Model

MP 550 S3

Product number

953875938

Pos.	PN ELX	PN MEP	DESCRIPTION	Q.ty	NOTE
56	531205732	10140213	spacer	1	H.15
57	531205485	10135071	deflector	1	
58	531205733	10140223	spacer	1	H.5
59	531206180	10155190	spring	1	
60	531205731	10140190	tie rod	1	
61	531205728	10140163	handle bearing	1	
62	531205730	10140173	handle bearing	1	
63	531205741	10140310	screw	4	TTSQ M8x16TF QUAD.H2,5 ZB
64	531207982	20106300	nut	11	M8 H8 UNI 5587-6S ZB
65	531205557	10135413	cable lock	1	
66	531205747	10140333	housing	1	SX
67	531205743	10140323	housing	1	DX
68	531205740	10140290	screw	4	TTTCFR D4x12 2F
69	531205734	10140250	deflector	1	
70	531207838	10830300	screw	1	TE M5x16 UNI 5739-8,8-ZB
71	531205698	10140011	deck	1	
72	531205715	10140090	spring	1	
73	531205736	10140263	rod	1	
74	531206653	10281400	cotter pin	2	1,8 x 33
75	531205720	10140113	plug	1	
76	531205726	10140147	spacer	1	
77	531205717	10140103	knob	1	
78	531205738	10140270	washer	1	D.38,5x73x1
79	531205739	10140280	washer	1	D.38,5x50x1
80	531205724	10140137	bush	1	
81	531205723	10140127	screw	1	
82	531208425	20228705	screw	1	TE M6x35 UNI 5737-8,8-ZB
83	531205706	10140033	front axle	1	D170/26 TAC
84	531205536	10135270	support	2	
85	531204371	09120084	front wheel	2	D170/26 TAC
86	531204907	10100900	key	1	4x6,5 UNI6606 WODRUF
87	531205768	10140420	screw	1	TE M8x90 UNI 5737 1/2F ZB
87	531206681	10291000	screw	2	TE M8x65 UNI 5737-8,8-ZB
88	531207981	20106200	washer	8	D.8E DIN 6798
90	531207848	10831300	support	1	
91	531211646	10141770	blade	1	
93	531207243	10531700	washer	1	17,2x50x1,5+0,1
94	531207237	10530900	washer	1	11x50x2,5
95	531206649	10280901	screw	1	TE D.3/8 UNFX65(8.8)
96	531208259	20140373	sac	1	
97	531211686	20140393	sack upper	1	
99	531208262	20140383	frame	1	
102	531205776	10140600	gear pulley	1	
104	531208043	20121983	support	1	
106	531205774	10140570	square	1	
107	531205787	10140720	screw	2	TEFR M8X16
108	531205791	10140800	cable	1	
110	531205848	10141313	clutch	1	
111	531205850	10141333	plug	1	